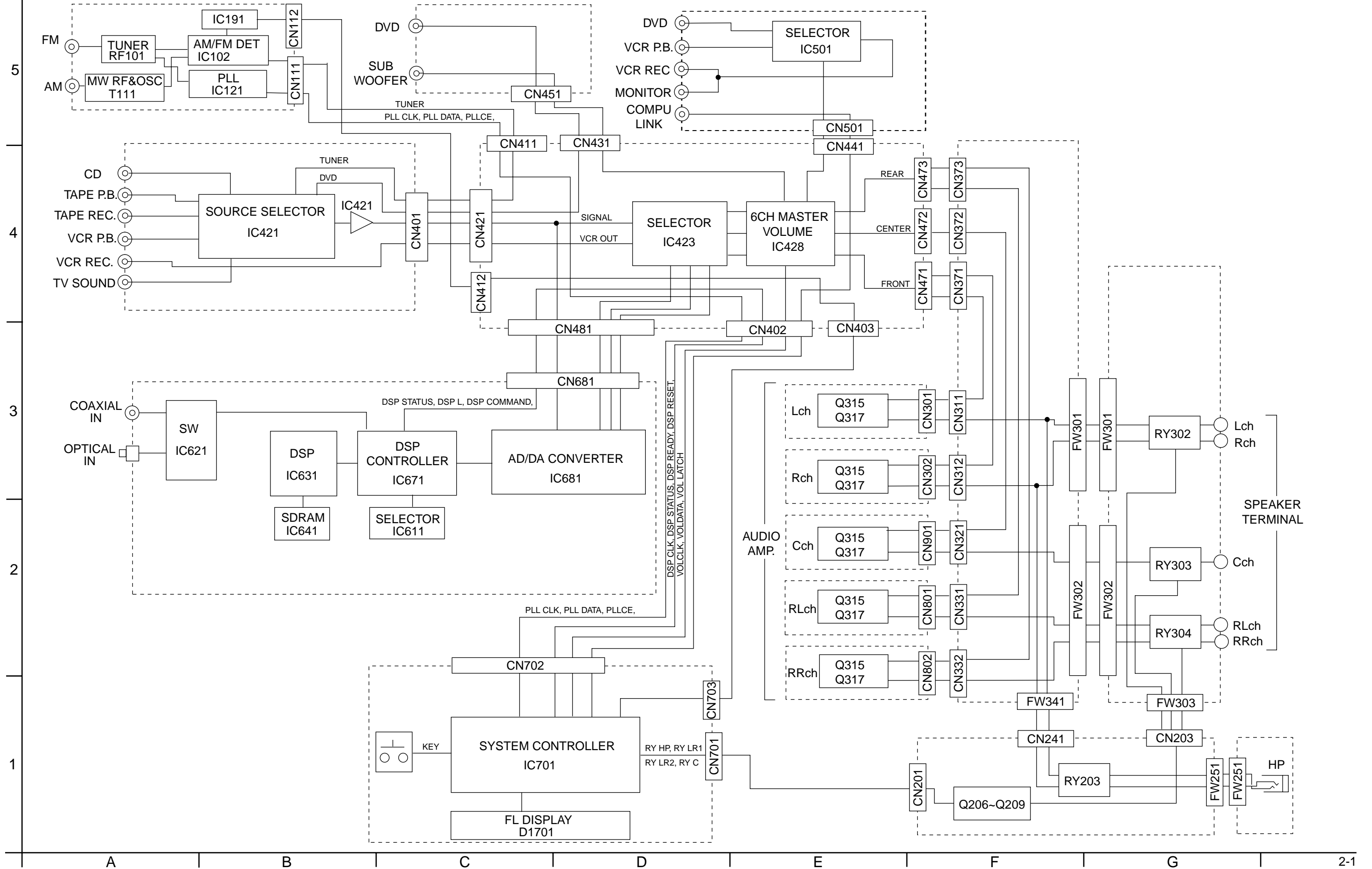


Block diagram



Standard schematic diagrams

■ Power supply section

B/E/EN

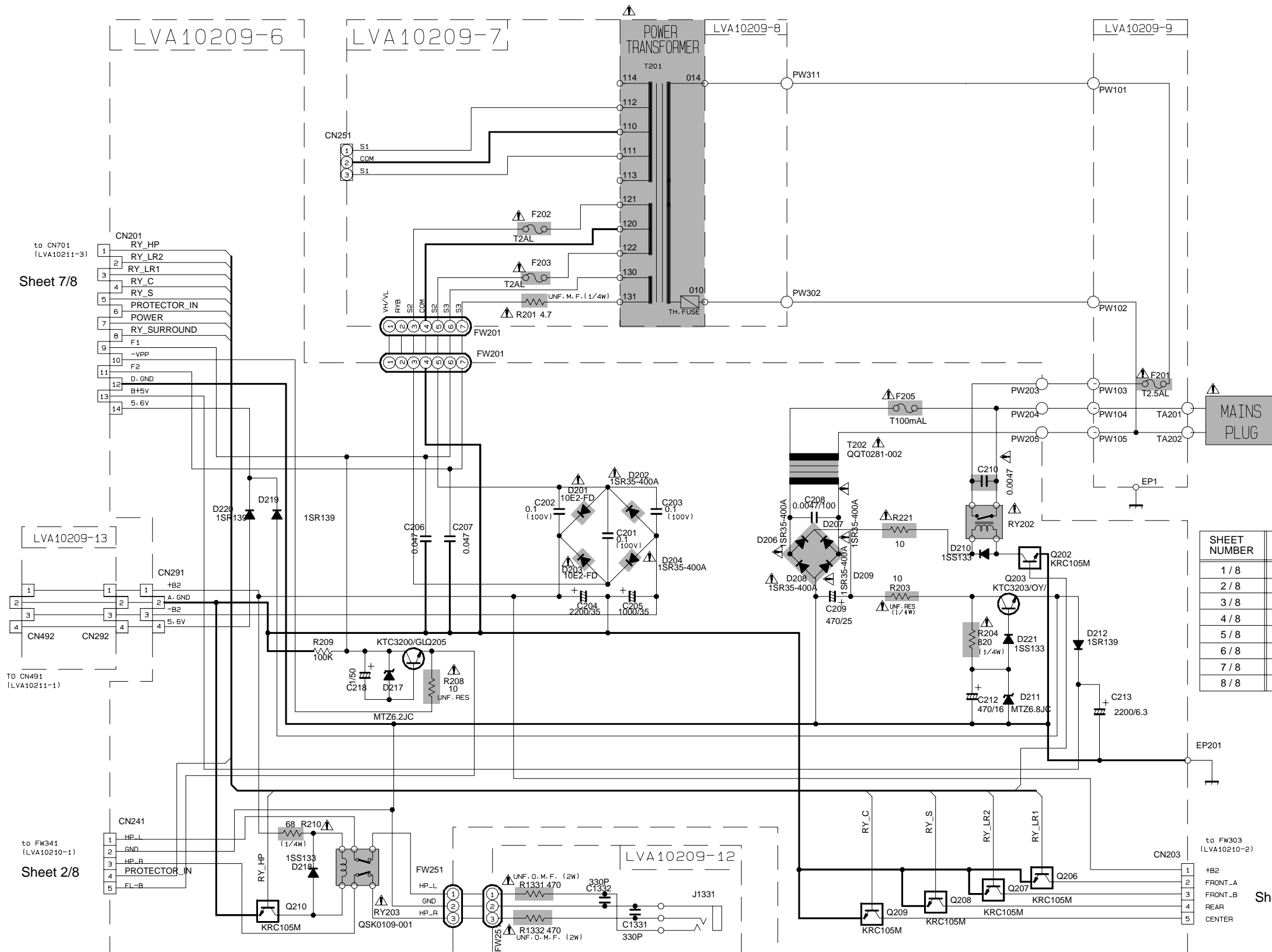
5

4

3

2

1



SHEET NUMBER	CIRCUIT DESCRIPTION
1 / 8	POWER SUPPLY
2 / 8	SPEAKER TERMINAL
3 / 8	AUDIO AMP
4 / 8	VOLUME / REGULATOR / SOURCE SELECT IC
5 / 8	AUDIO VIDEO SIGNAL INPUT TERMINAL
6 / 8	SURROUND IC / DIGITAL SIGNAL INPUT TERMINAL
7 / 8	USER CONTROL KEY / SYSTEM CONTROL LSI / FL DISPLAY
8 / 8	TUNER

Parts are safety assurance parts. When replacing those parts make sure to use the specified.

Sheet 7/8

LVA10209-13

TO CN491 (LVA10211-1)

Sheet 2/8

Sheet 2/8

■ Audio & Speaker terminal section

Sheet 1/8

LVA10210-1

FW485
(LVA10211-1)
Sheet 4/8

LVA10210-2

Sheet 1/8

Sheet 1/8

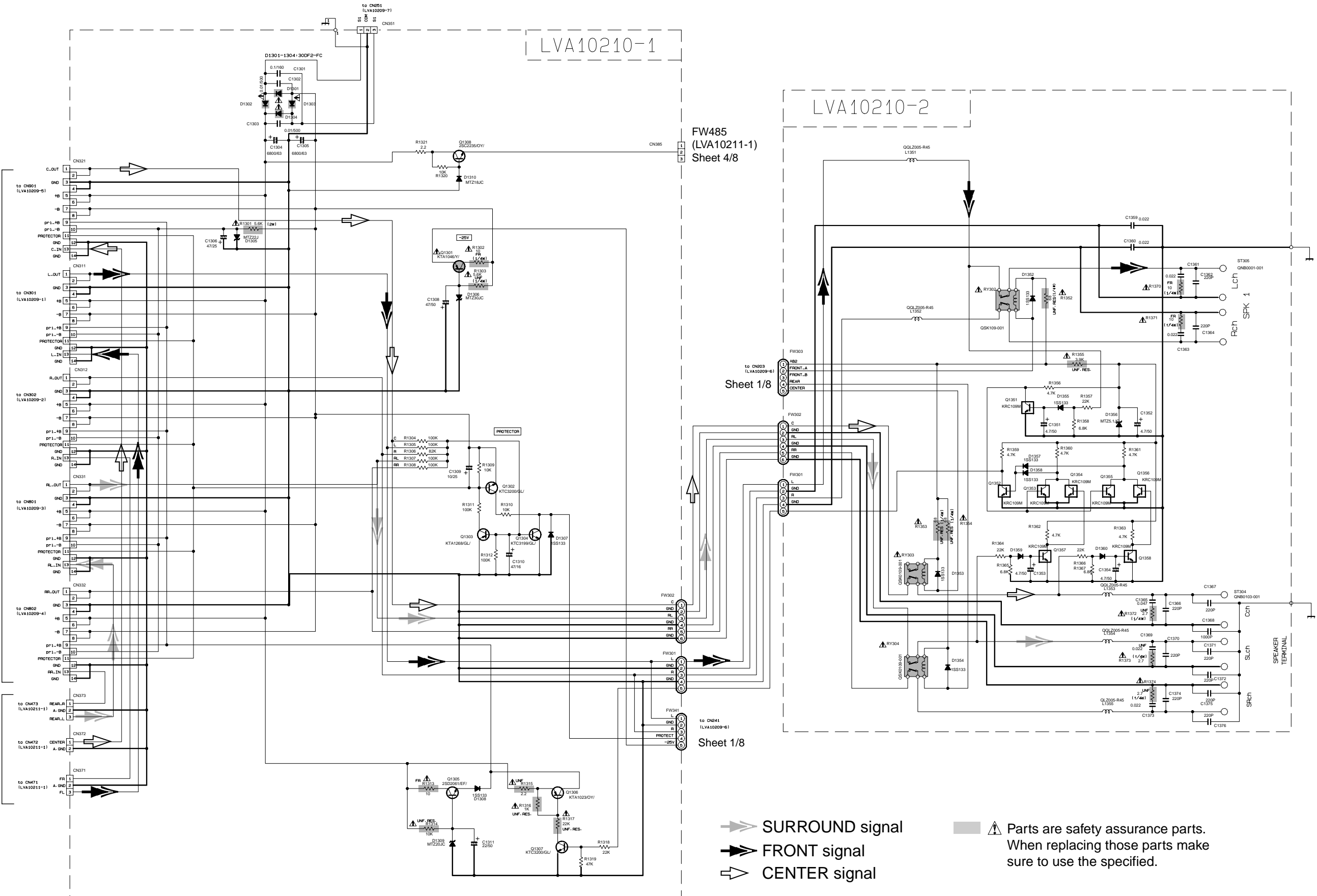
- SURROUND signal
- ➡ FRONT signal
- ➦ CENTER signal

⚠ Parts are safety assurance parts.
When replacing those parts make
sure to use the specified.

5
4
3
2
1

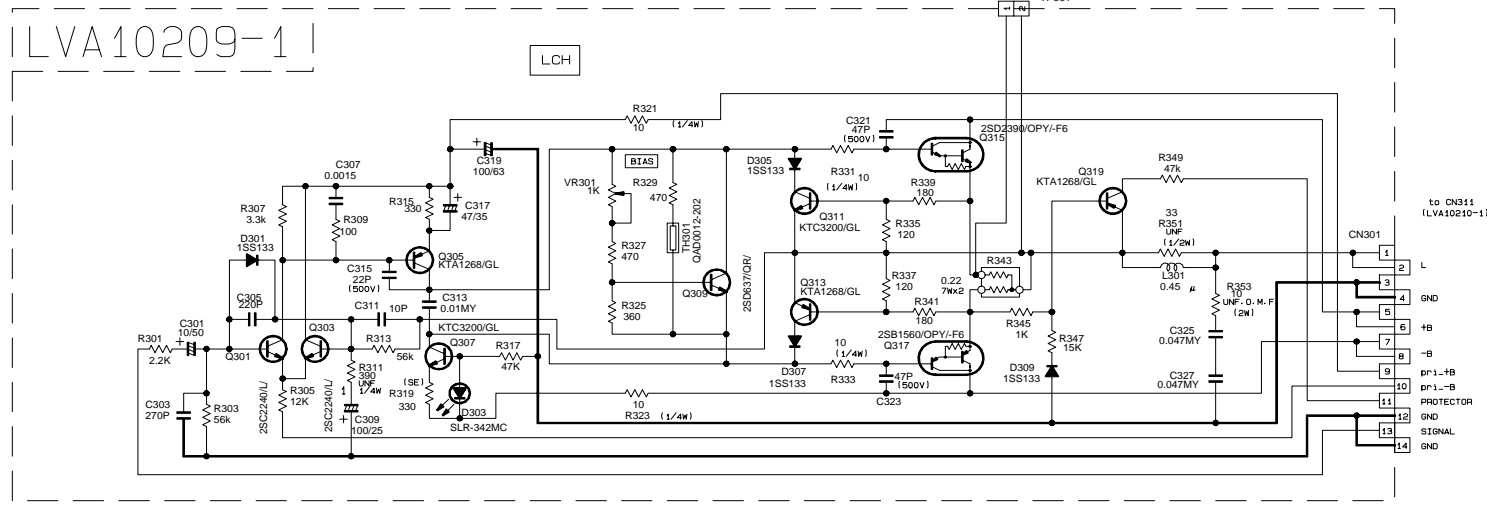
Sheet 3/8

Sheet 4/8

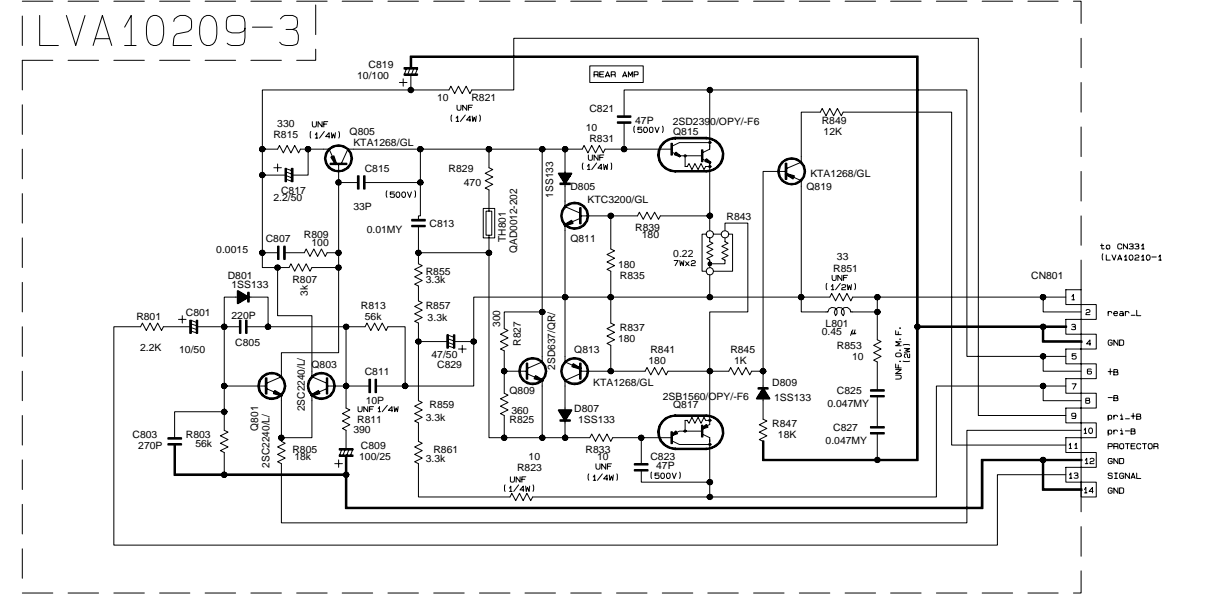


■ Audio amplifier section

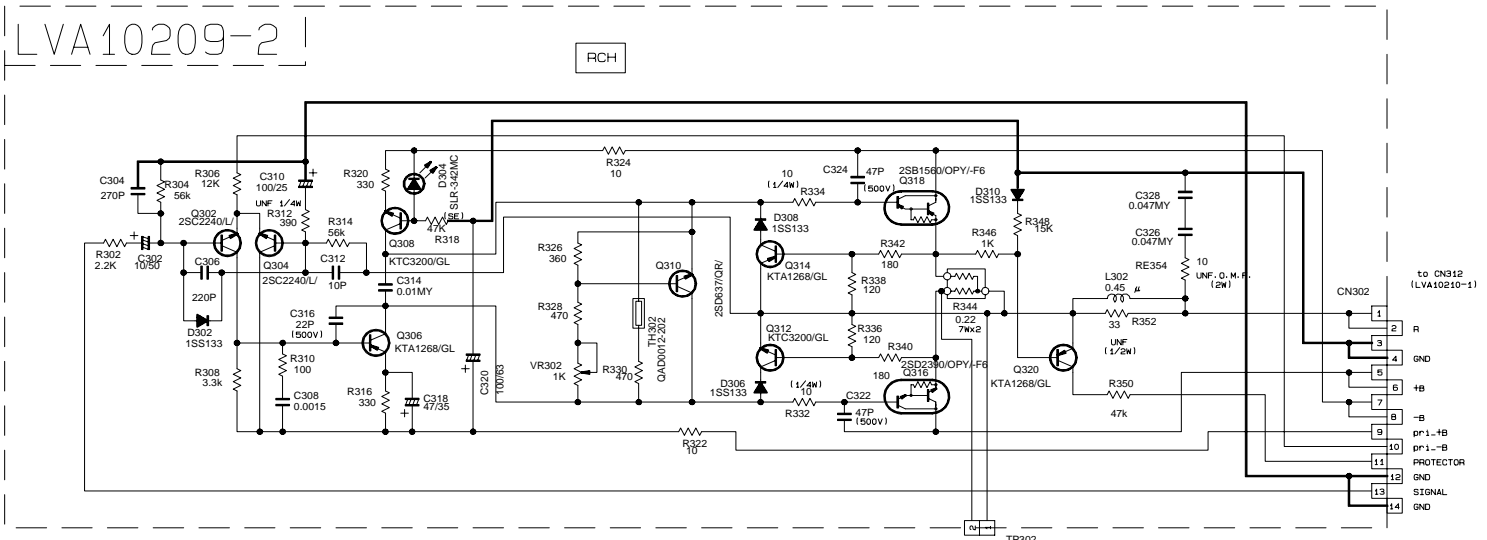
5



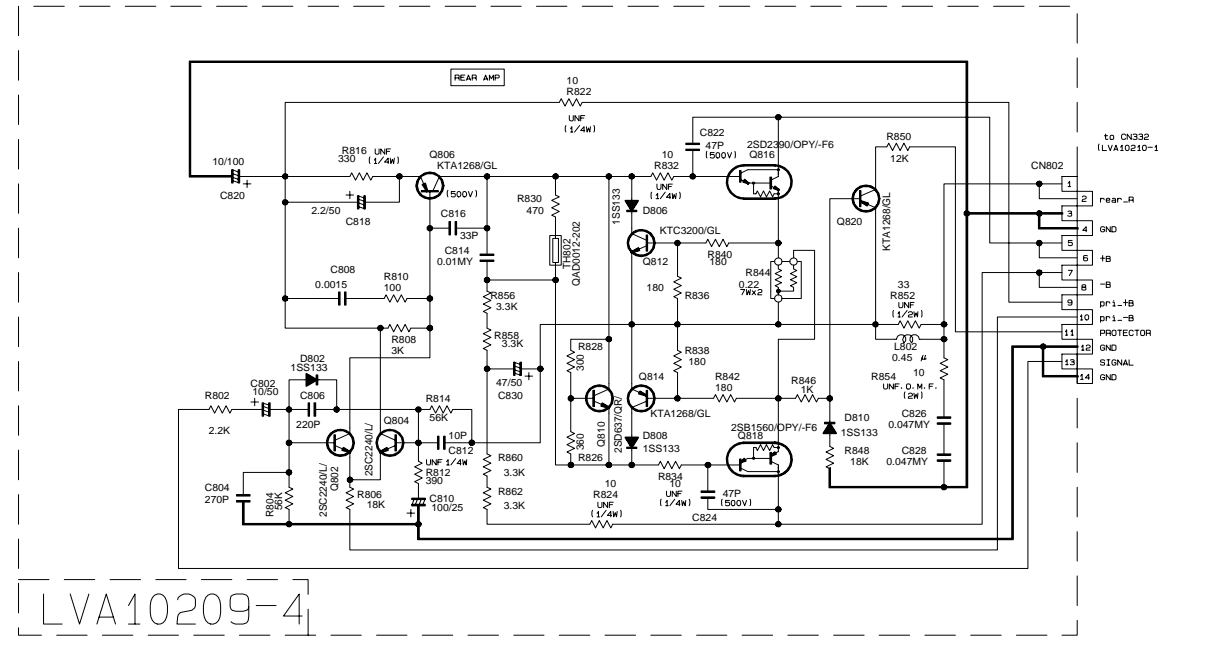
4



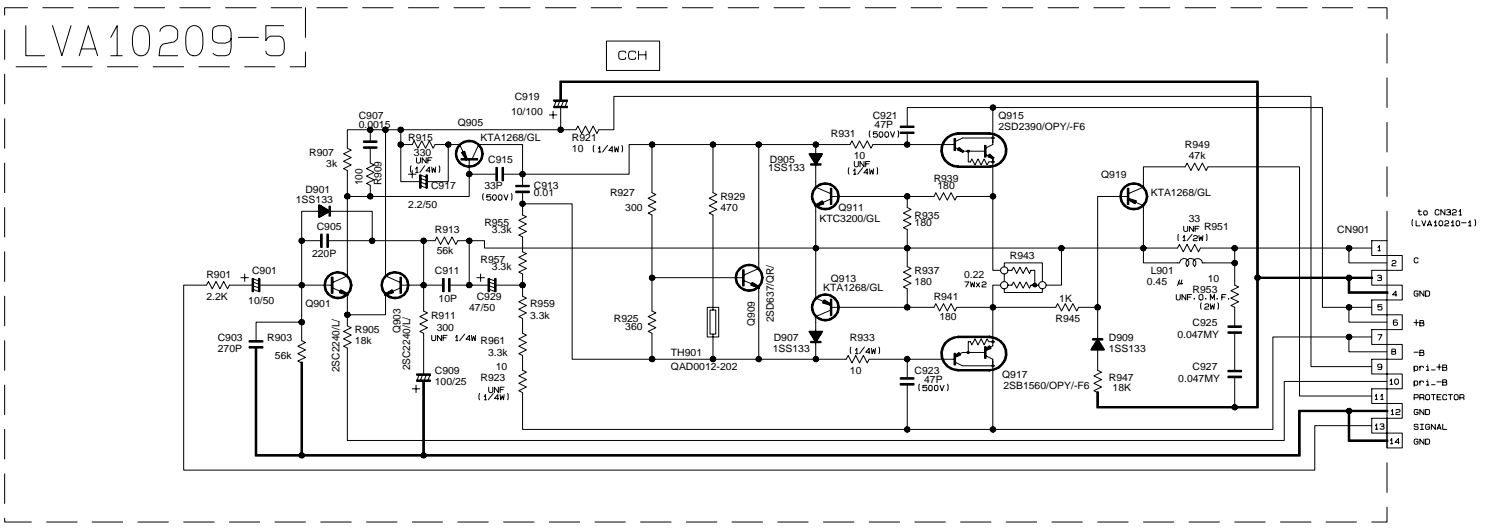
3



2



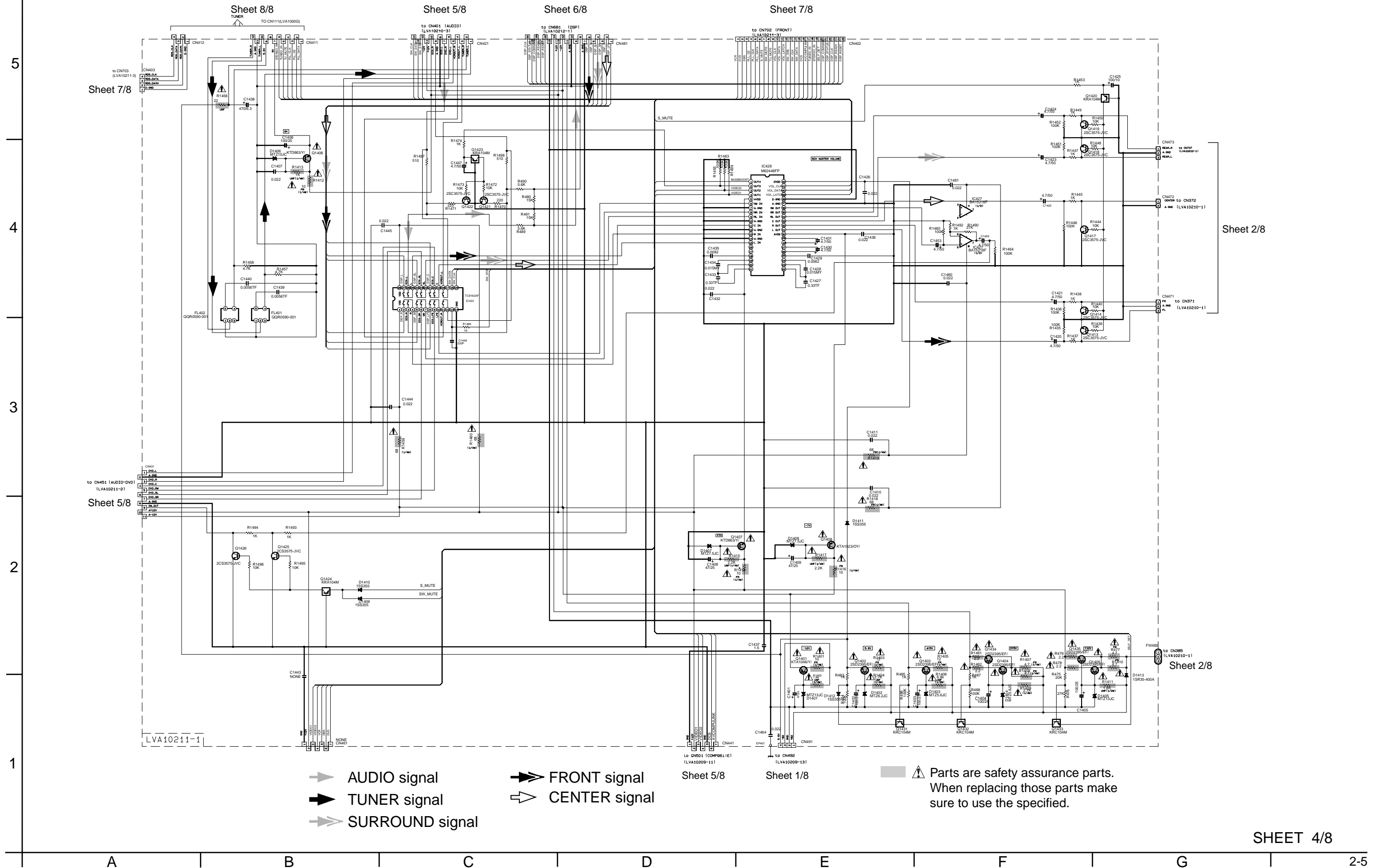
1



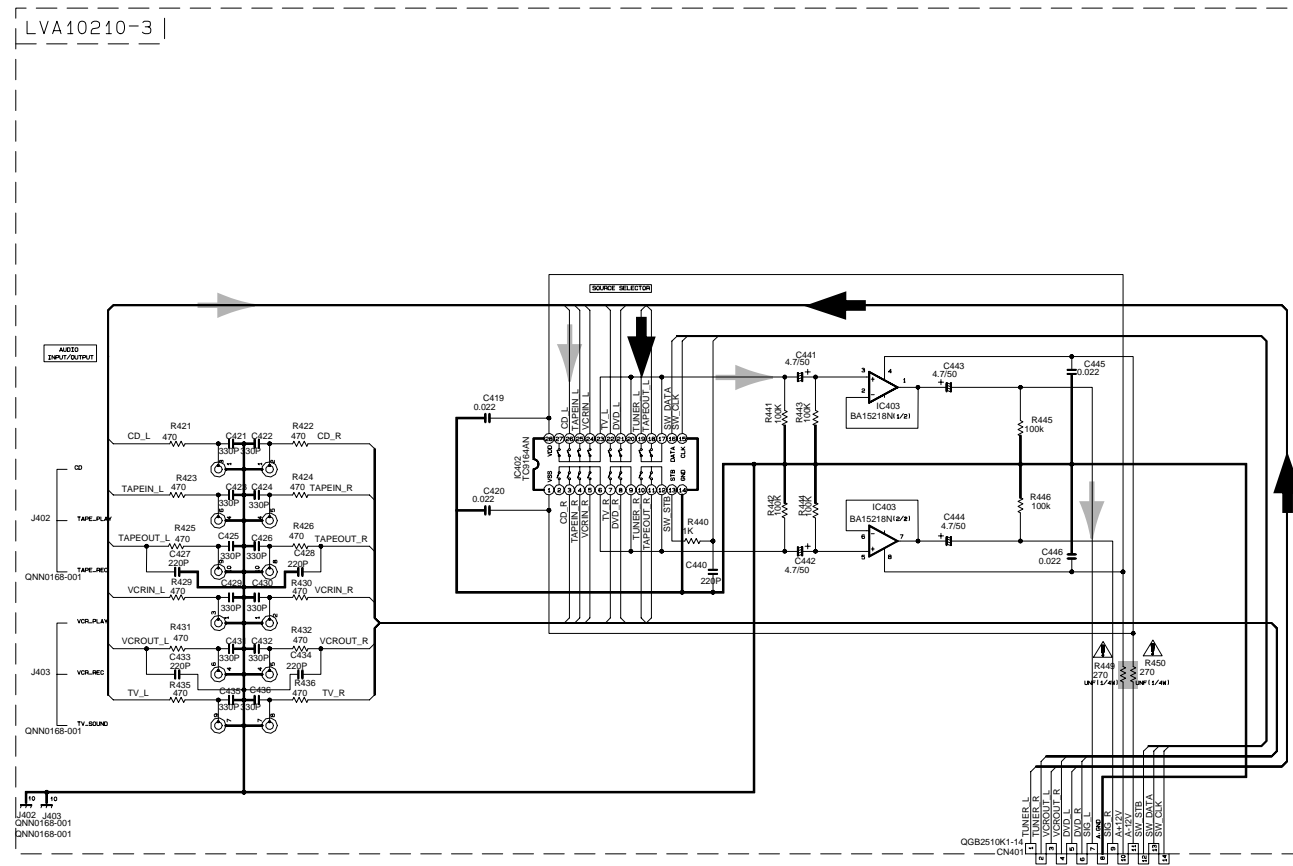
LVA10209-4

⚠ Parts are safety assurance parts. When replacing those parts make sure to use the specified.

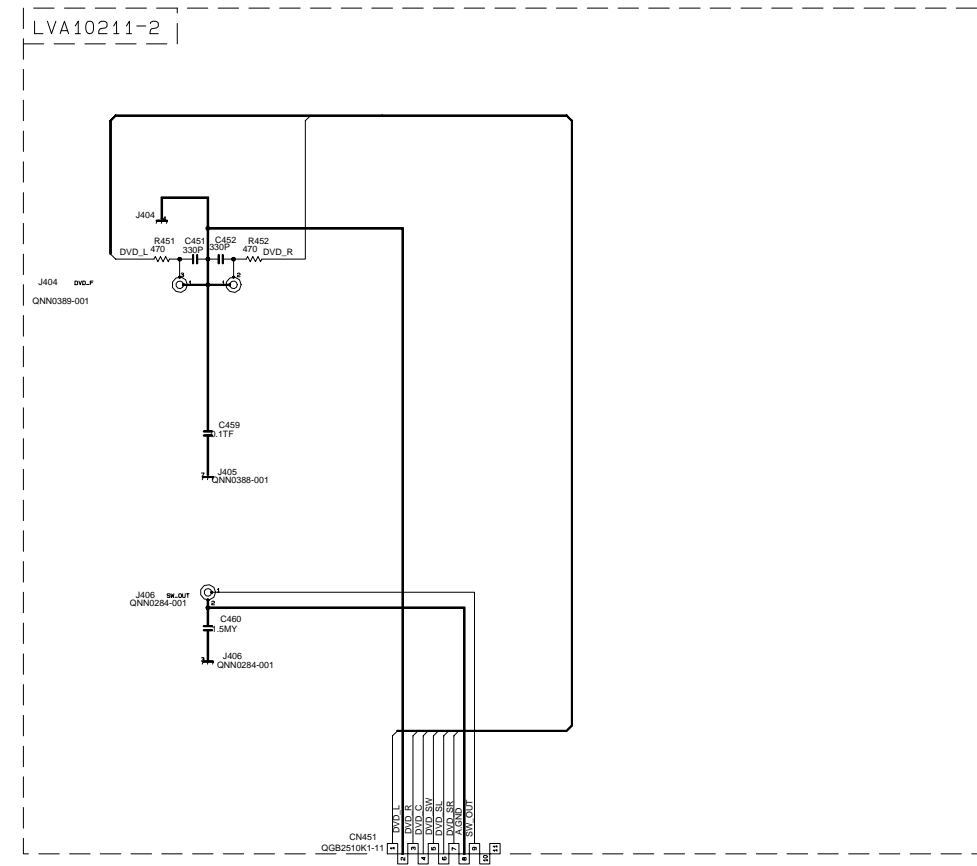
■ Main section



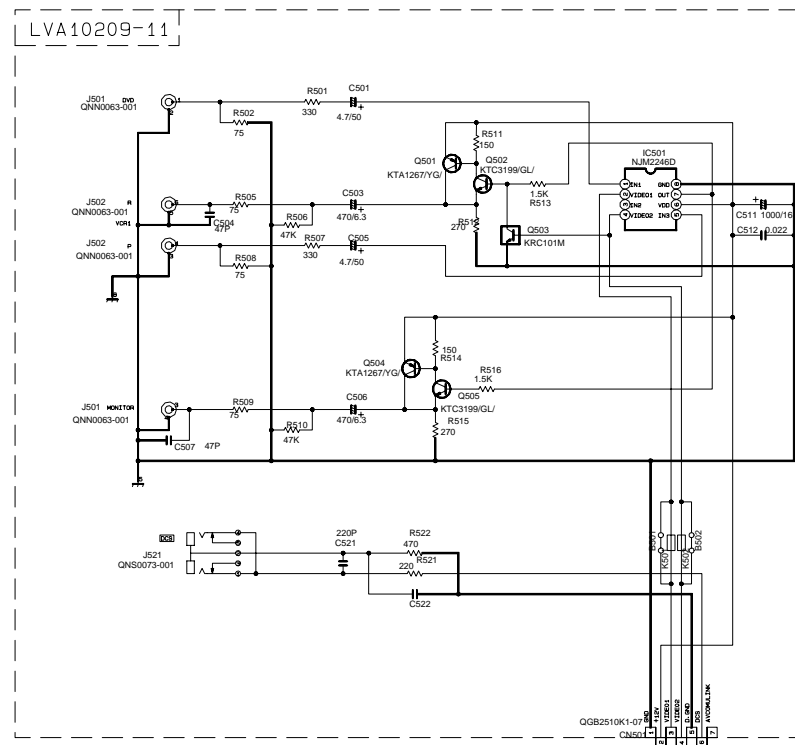
■ Audio / Video / DVD signal input section



Sheet 4/8



Sheet 4/8



Sheet 4/8

➤ AUDIO signal
➤ TUNER signal

⚠ Parts are safety assurance parts.
When replacing those parts make
sure to use the specified.

DSP section

LVA10212-1

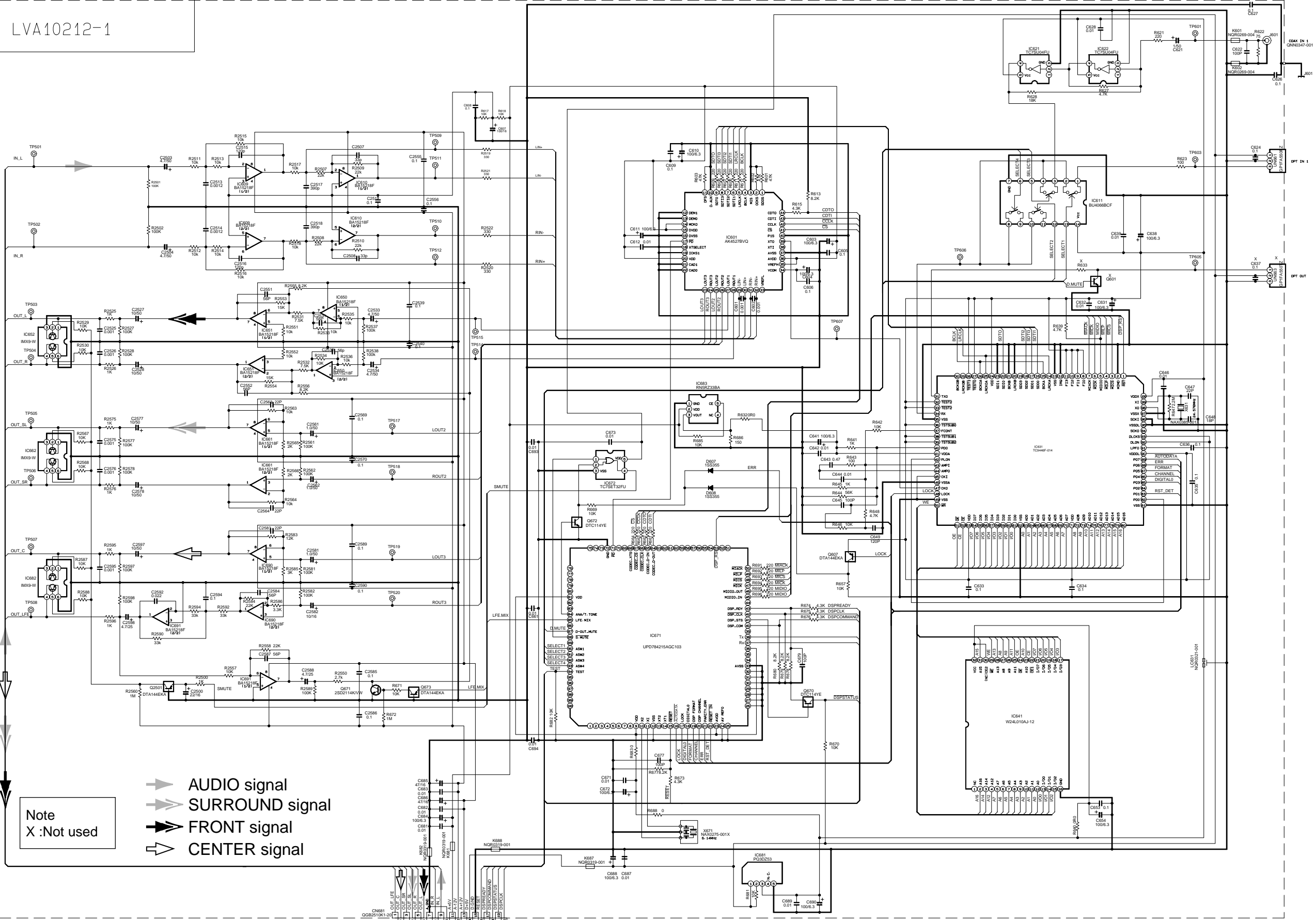
5

4

3

2

1



Note
X : Not used

- ➔ AUDIO signal
- ➔ SURROUND signal
- ➔ FRONT signal
- ➔ CENTER signal

System control and FL displaying section

5

4

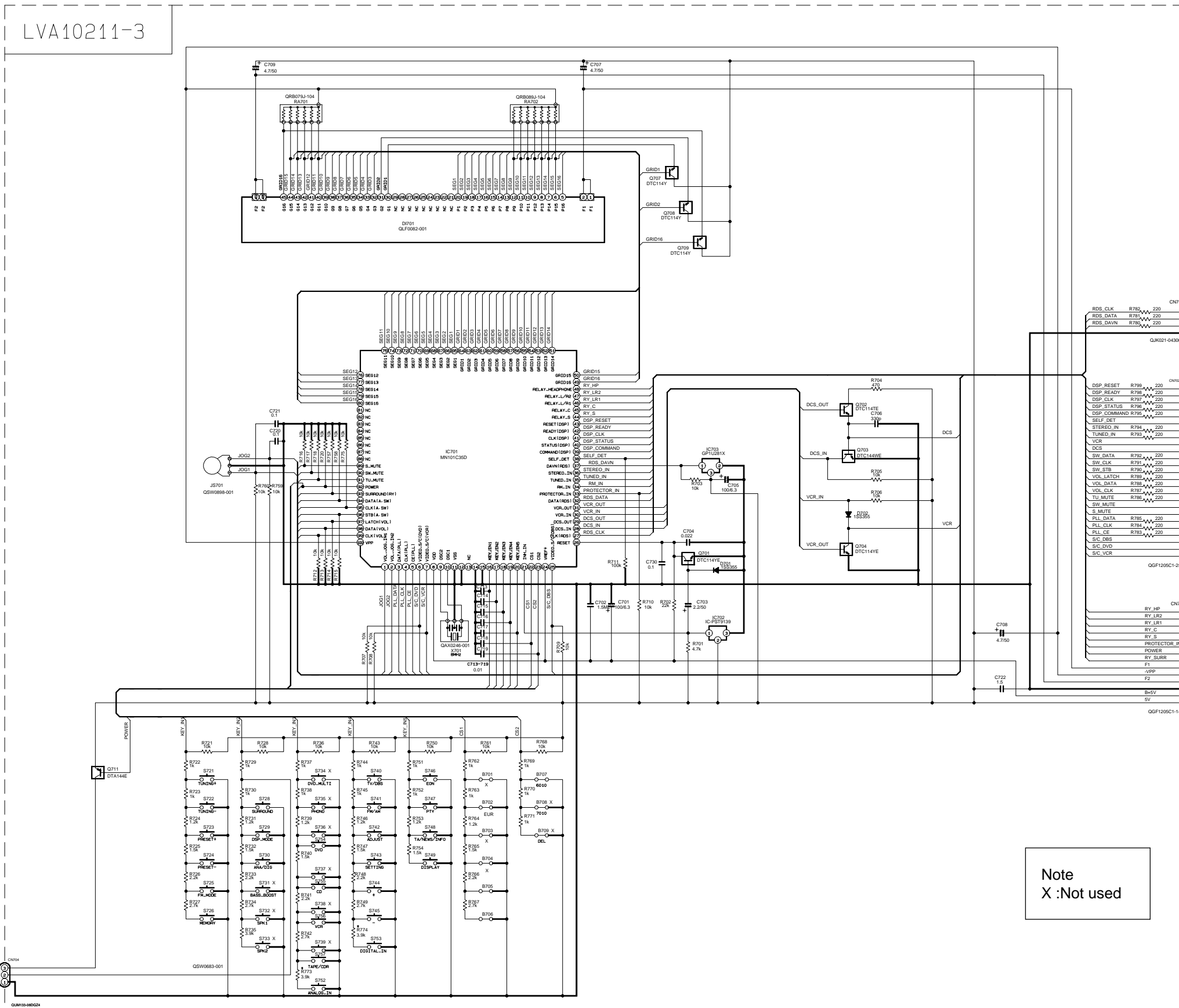
3

2

1

LVA10211-3

LVA10211-4



Note
X : Not used

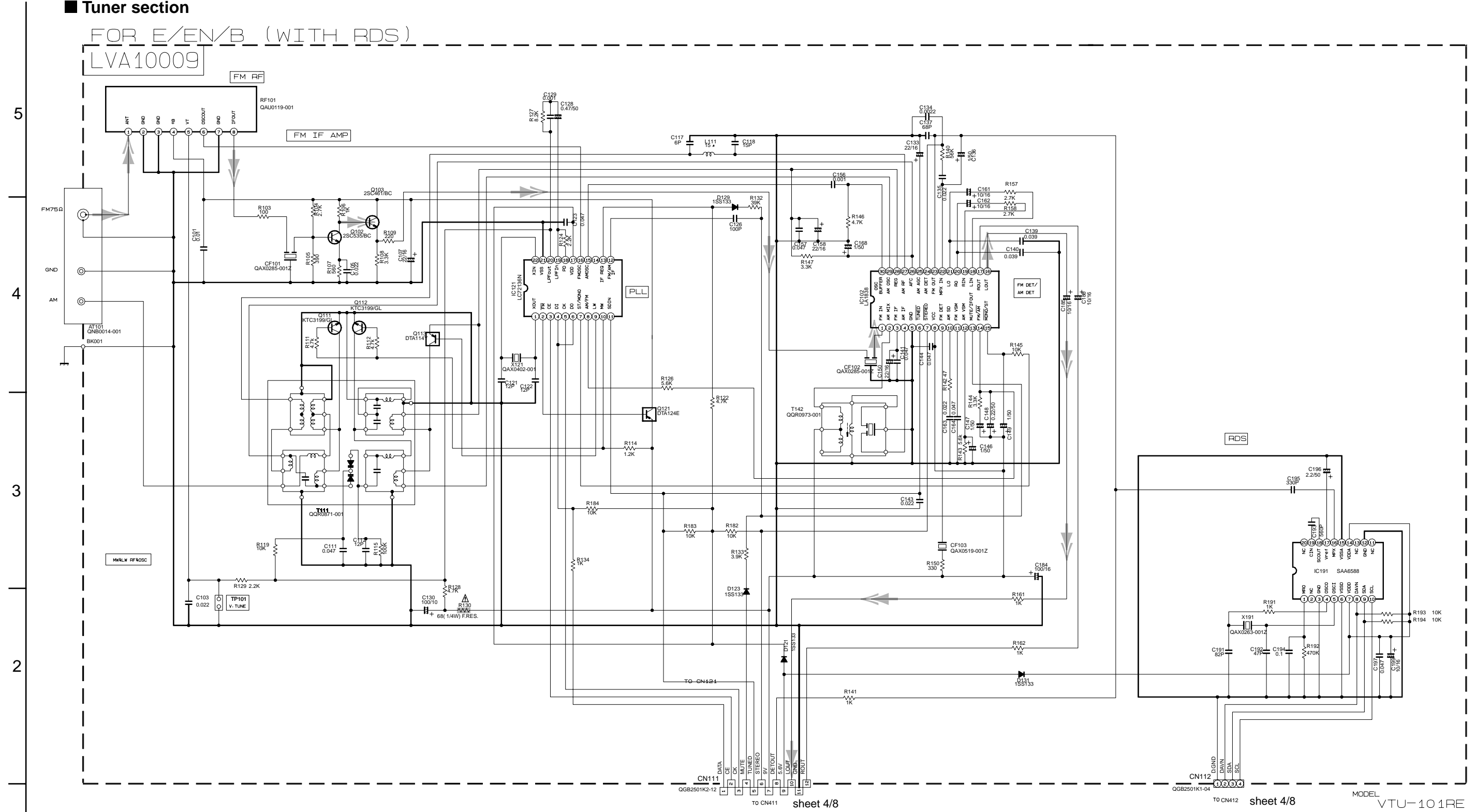
Sheet 4/8

Sheet 4/8

Sheet 1/8

■ Tuner section

FOR E/EN/B (WITH RDS)
LVA10009



➔ FM / Tuner signal

▲ Parts are safety assurance parts.
When replacing those parts make sure to use the specified one.

1

2

3

4

5

A

B

C

D

E

F

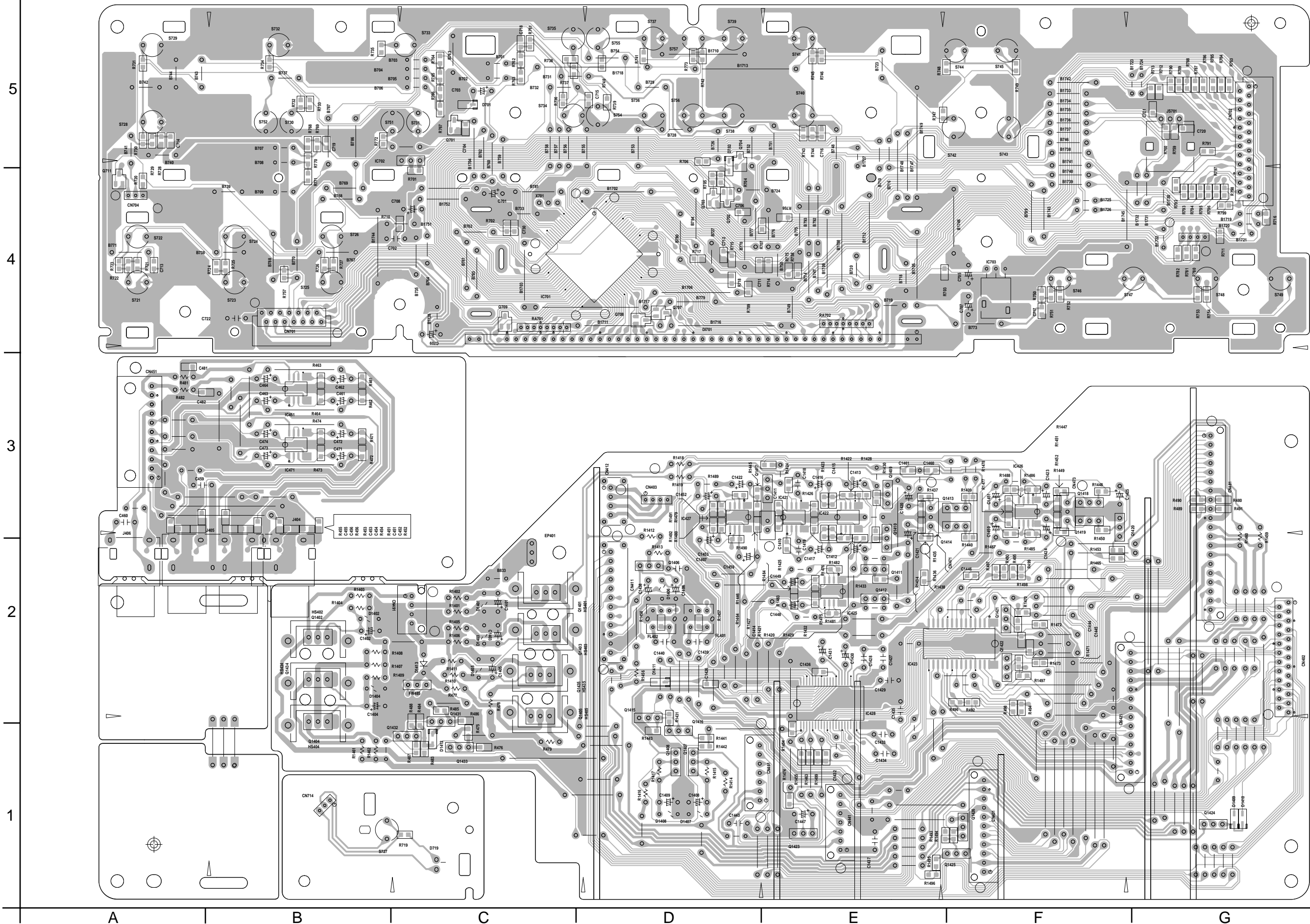
G

TO CN411 sheet 4/8

TO CN412 sheet 4/8

MODEL VTU-101RE

■ System control & Audio board



■ Power amp. board

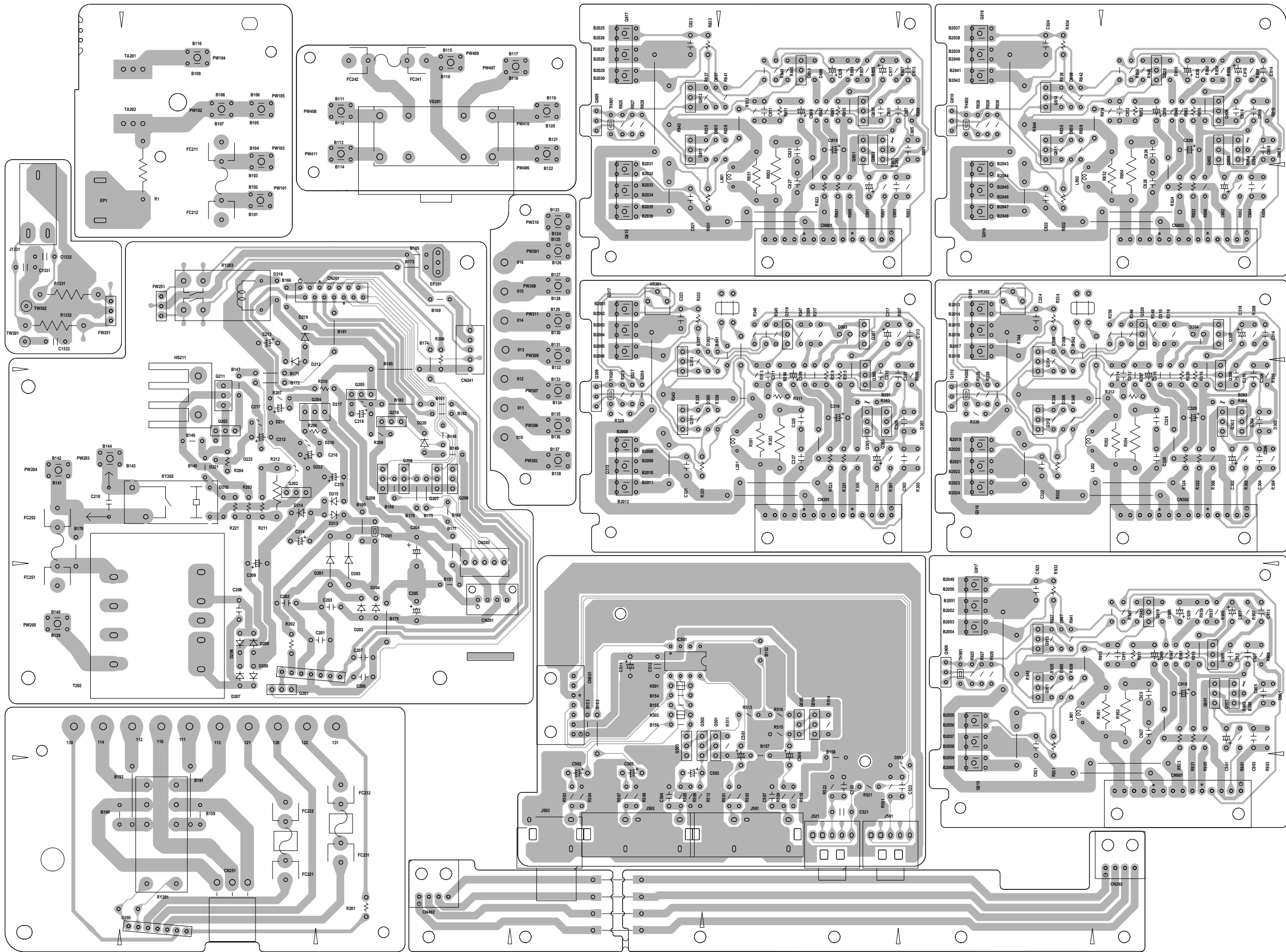
5

4

3

2

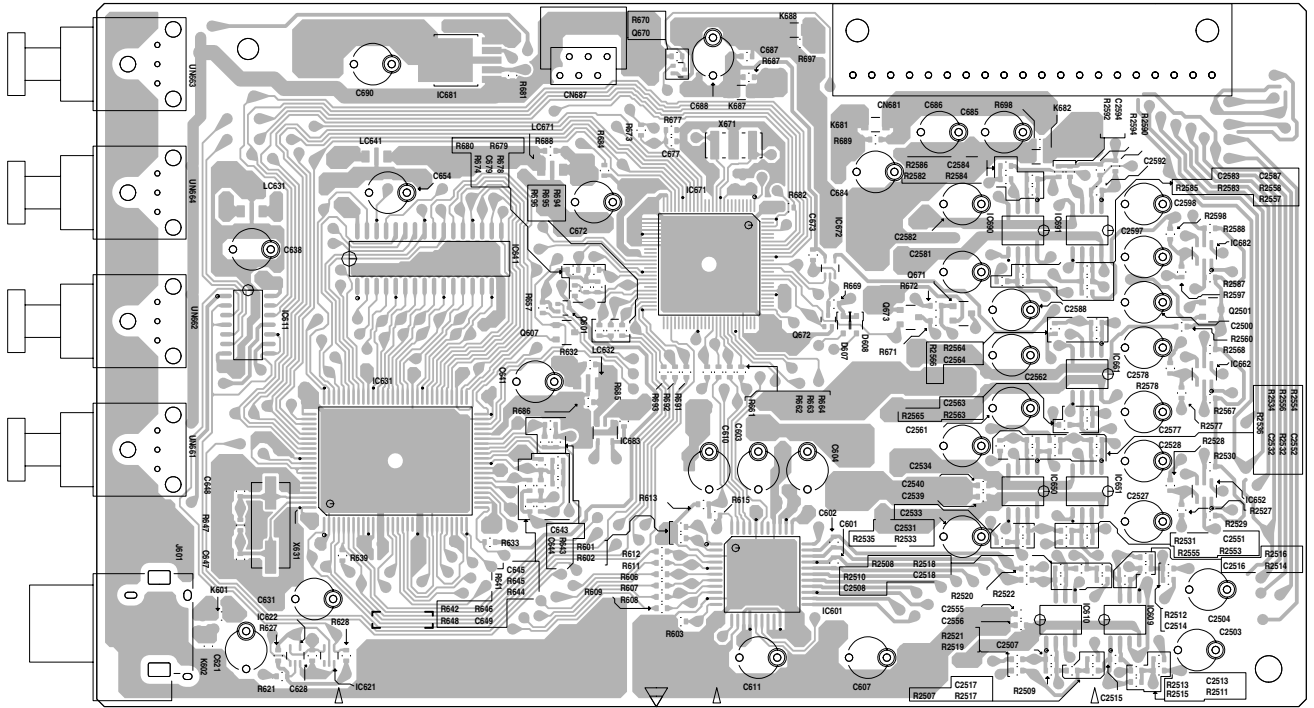
1



■ DSP board

Forward side

5

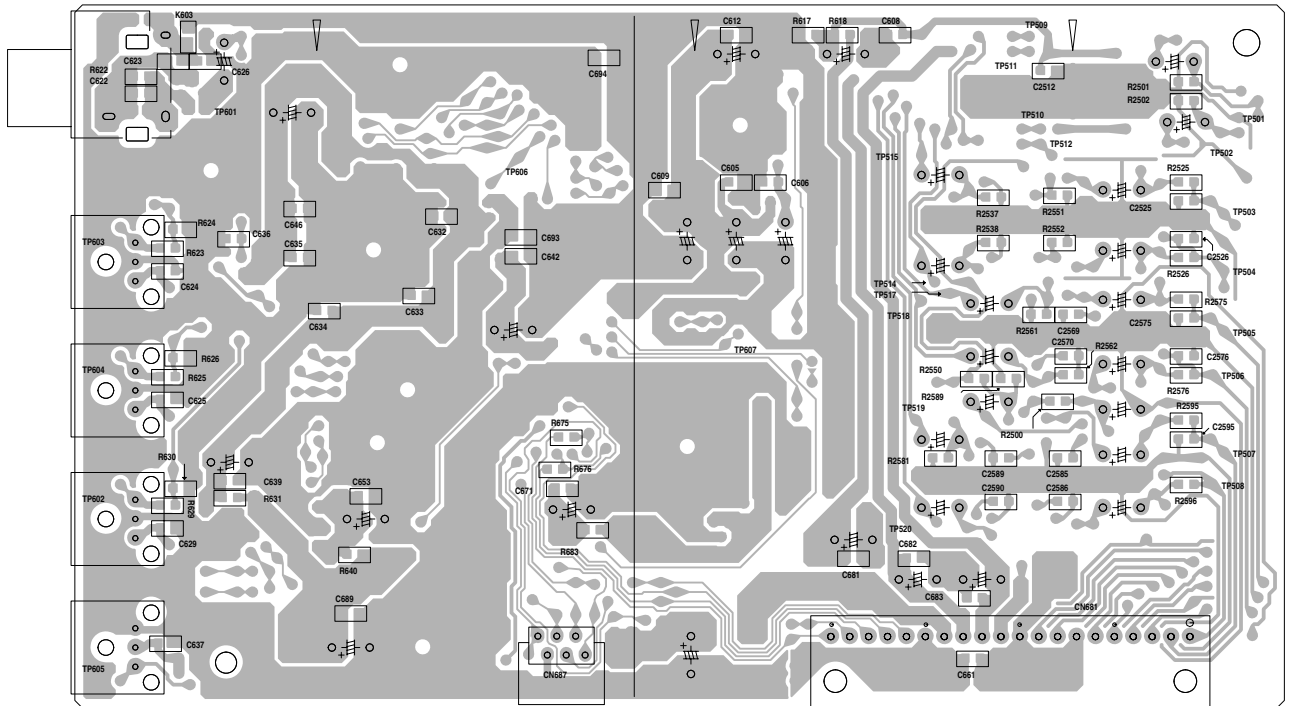


4

3

Reverse side

2



1

A

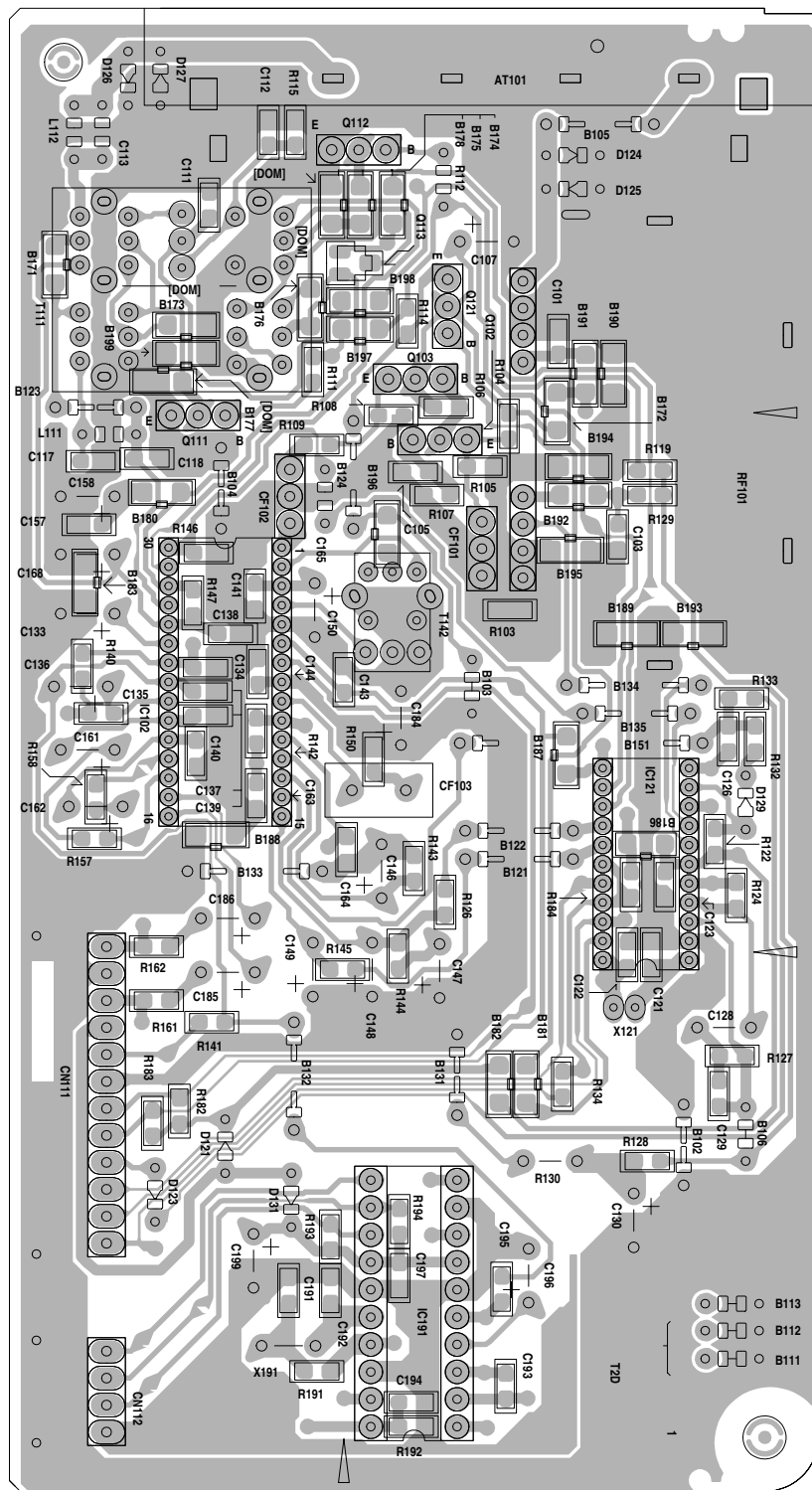
B

C

D

■ Tuner board

5
4
3
2
1



A B C D

2-14